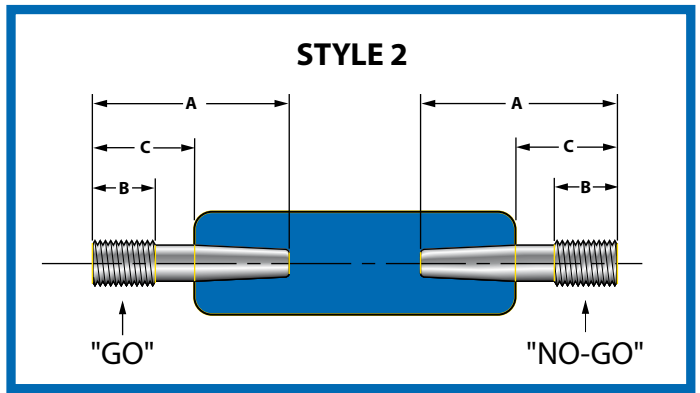
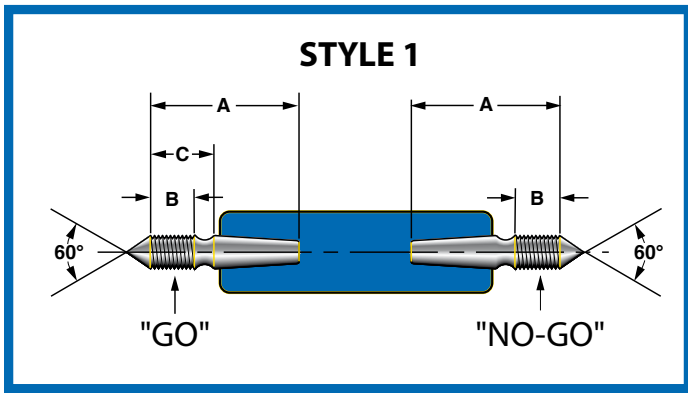
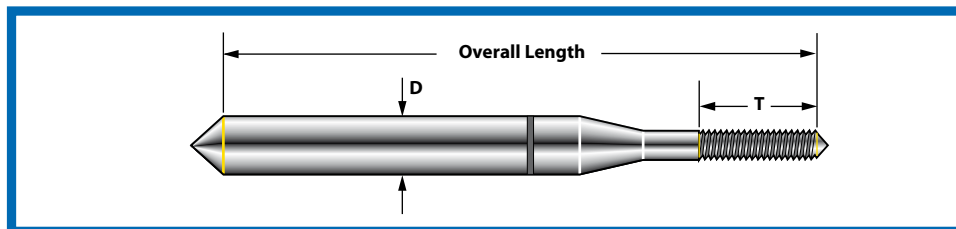


TAPERLOCK GAGE BLANK DIMENSIONS



GAGE STYLE	HANDLE SIZE #	AMERICAN SIZE	METRIC SIZE	"GO" GAGE			"NO-GO" GAGE		
				A	B	C	A	B	C
1	00	0, 1, 2, 3	M1.6 TO M2.6	15/16	1/4	-	7/8	3/16	-
1	00	4	-	1-5/16	5/16	9/16	31/32	7/32	-
1	00	5, 6	M3.0 TO M3.5	1-7/16	5/16	11/16	31/32	6/32	-
2	0	8	M4.0	1-5/8	13/32	3/4	1-5/32	9/32	17/32
2	0	10	M5.0	1-3/4	13/32	7/8	1-5/32	9/32	17/32
2	0	12	-	1-13/16	13/32	15/16	1-5/32	5/16	17/32
2	1	1/4	M6.0	1-3/4	1/2	1	1-5/16	5/16	9/16
2	2	5/6	M8.0	1-7/8	1/2	1-1/8	1-5/16	5/16	9/16
2	2	3/8	M10	2	3/4	1-1/4	1-3/8	3/8	5/8
2	2	7/16	-	2-3/16	3/4	1-7/16	1-3/8	3/8	5/8
2	2	1/2	M12	2-13/32	3/4	1-21/32	1-3/8	3/8	5/8
2	3	9/16	M14	2-13/32	7/8	1-21/32	1-1/2	1/2	3/4
2	3	5/8	M16	2-9/16	7/8	1-13/16	1-1/2	1/2	3/4
2	3	11/16, 3/4	M18	2-3/4	7/8	2	1-1/2	1/2	3/4
2	4	13/16, 7/8	M20, M22	3-3/32	1	2-7/32	1-13/16	5/8	15/16
2	4	15/16, 1"	M24	3-3/8	1	2-1/2	1-13/16	5/8	15/16

MINIATURE GAGE BLANK DIMENSIONS



AMERICAN SIZE	METRIC SIZE	OVERALL LENGTH	D: SHANK DIAMETER	T: THREAD LENGTH	
				"GO" GAGE	"NO-GO" GAGE
000-120	.90 UNM	1-5/8	.141	1/8	1/16
00-96	1.0 UNM	1-5/8	.141	5/32	1/16
00-90	1.10 UNM				
	1.20 UNM				
	1.40 UNM				